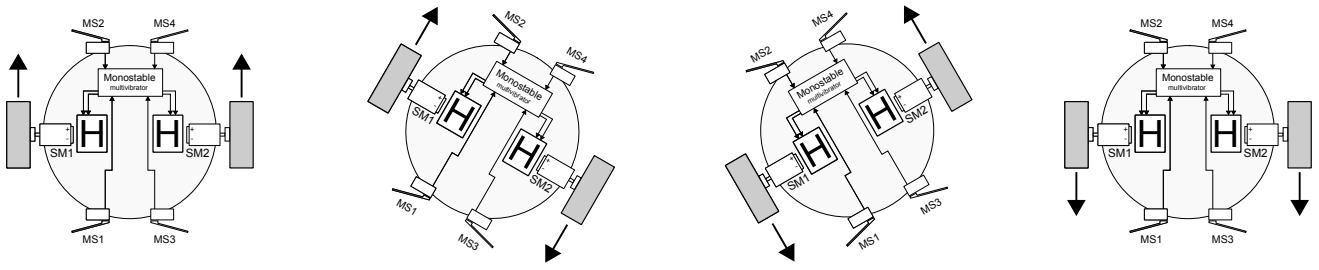
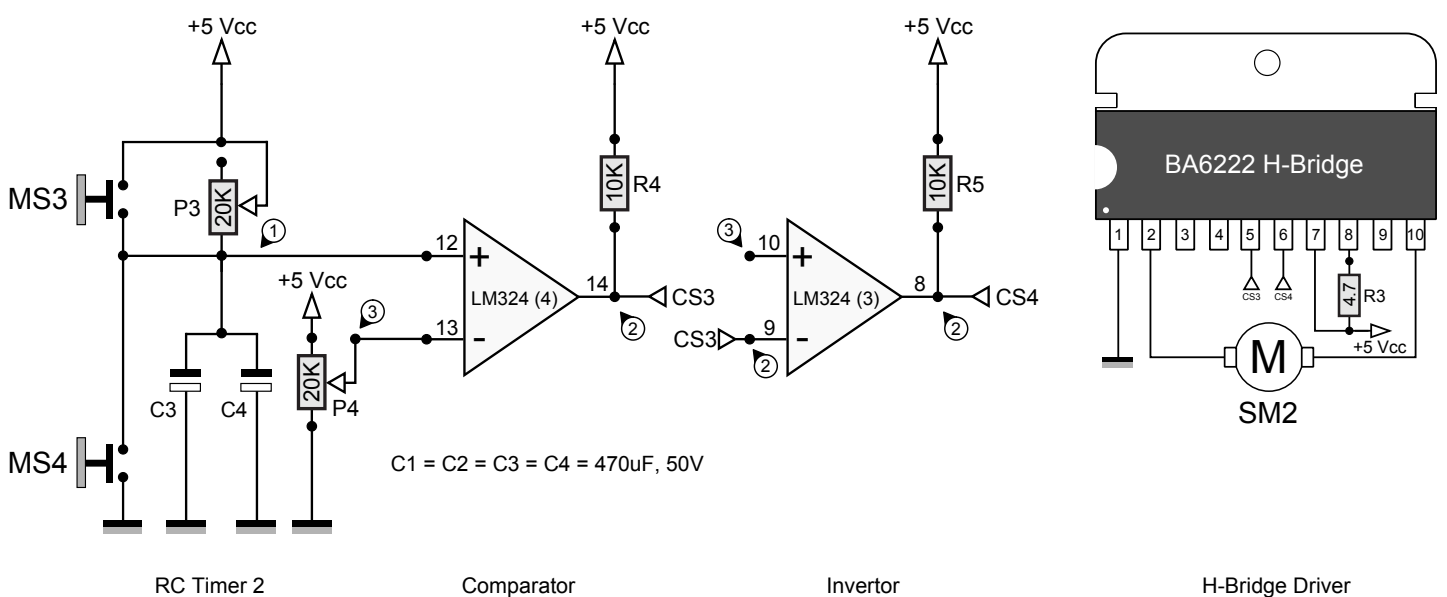
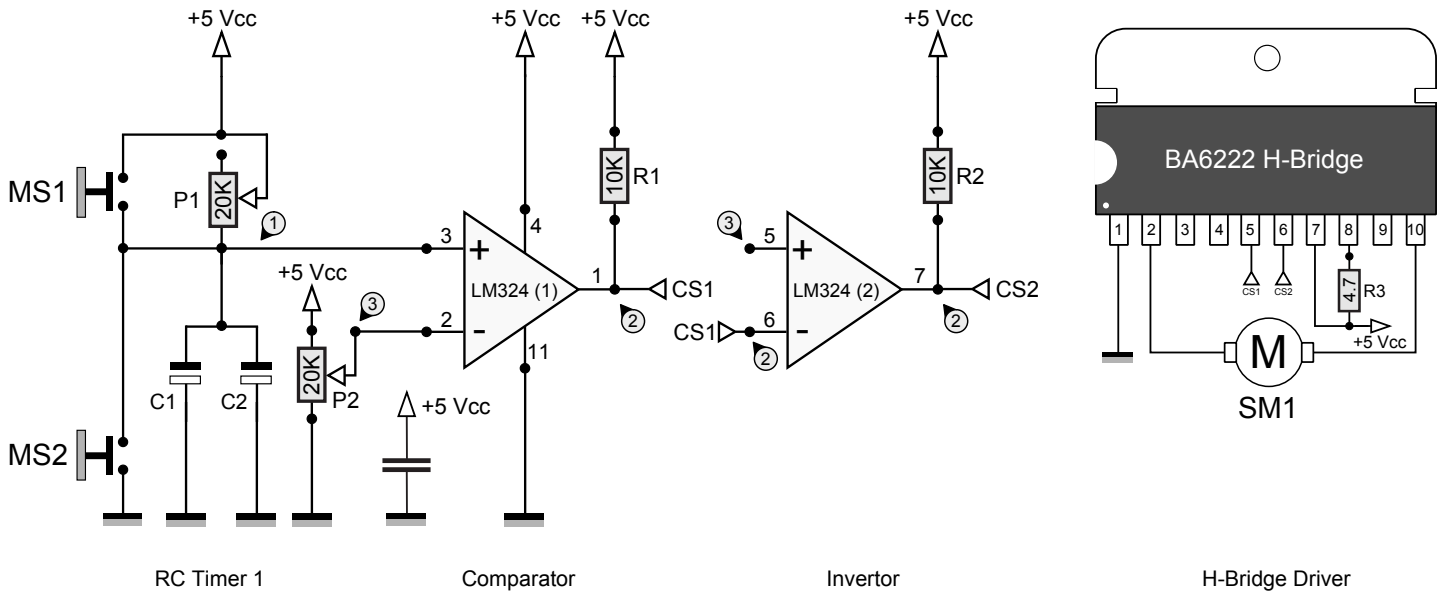
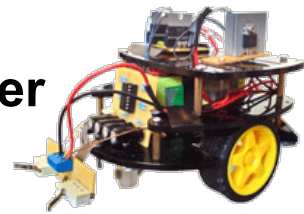


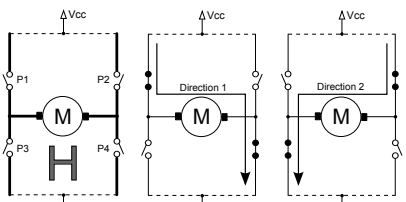
Monostable multivibrator I

Base analog differential motion controller



H-Bridge concept:

P1	P2	P3	P4	
ON	OFF	OFF	ON	Direction 1
OFF	ON	ON	OFF	Direction 2
OFF	OFF	ON	ON	Stop



BA6222 H-Bridge:

F Input / output truth table

5pin (IN)	6pin (IN)	2pin (OUT)	10pin (OUT)
L	L	OPEN	OPEN
H	L	H	L
L	H	L	H
H	H	L	L

Note: HIGH level input is 3.0 V or more
LOW level input is 1.0 V or less

