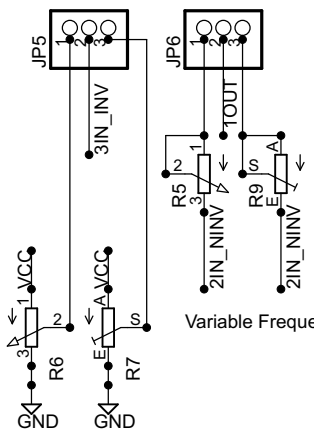
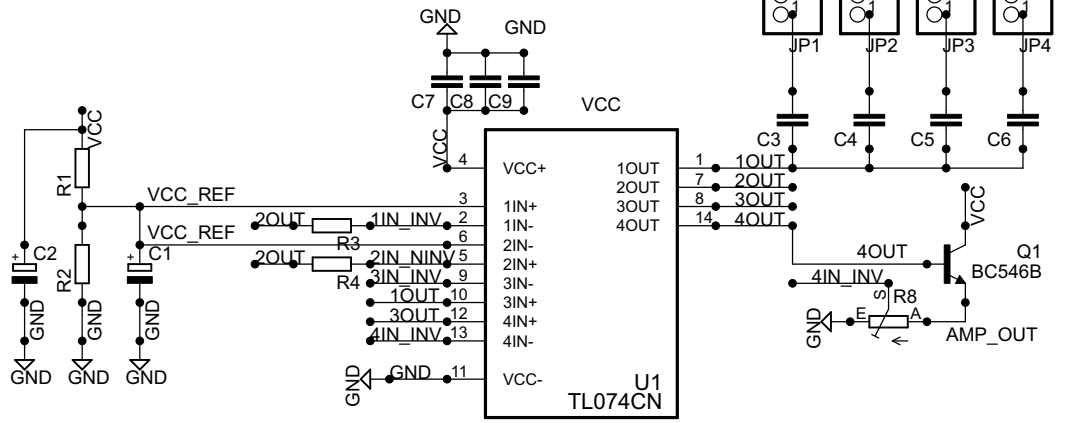
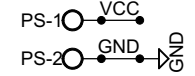


LED Tester Circuit



PWM - Variable Duty Cycle Configuration

Variable Frequency Configuration



- 1OUT TRIANGULAR_SIGNAL_OSCILLOSCOPE_POINT
- 3OUT SQUARE_WAVE_SIGNAL_OSCILLOSCOPE_POINT
- AMP_OUT AMP_OUT_SIGNAL_OSCILLOSCOPE_POINT

zisel-invent (R) Novi Sad Serbia	
TITLE: VFDriver	
Document Number: 1.0	REV: 1.0
Date: May 31, 2016	Sheet: 1/1