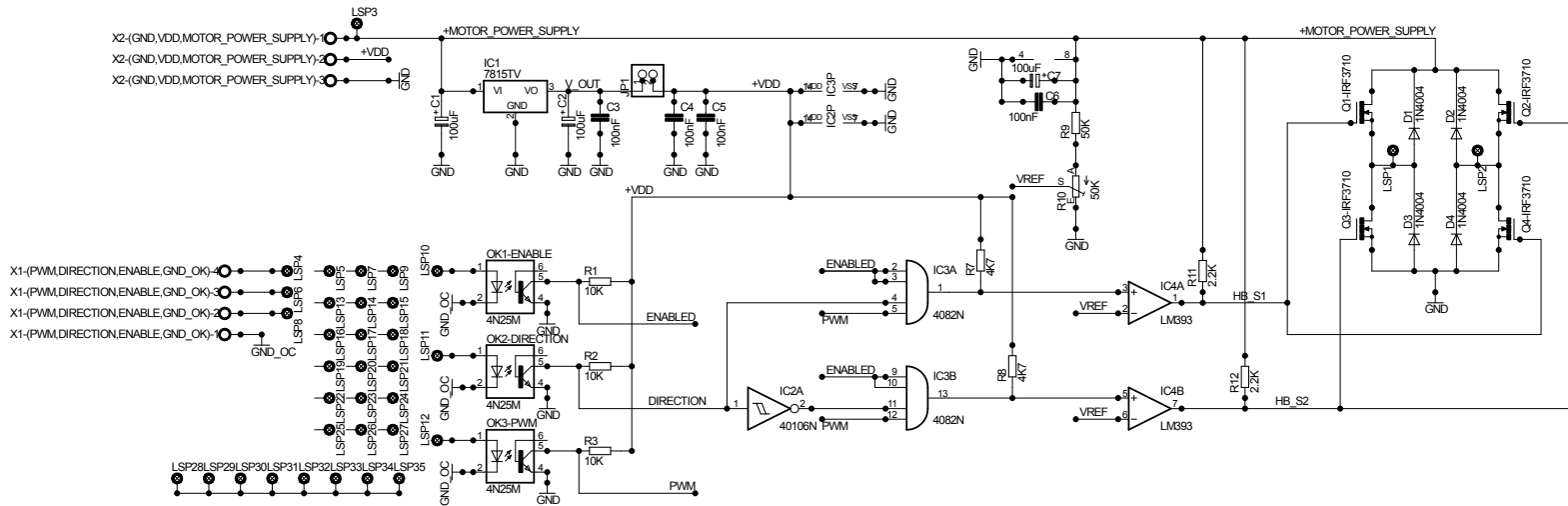


SERPENT I

H-Bridge DC Motor Driver based on IRF3710 power MOSFET

hardware and software solutions
dream your robots



Applications

- DC motor control systems
- Embedded robotics
- Internet of Things (IoT)
- Inverter circuits DC/AC

BOM

- Screw connector 4 pins 1x
- Screw connector 3 pins 1x
- Optocoupler 4N25 IC 3x
- Logic gate CMOS 40106 IC 1x
- Logic gate CMOS 4082 IC 1x
- 78xx voltage regulator IC 1x
- Dual differential comparator LM393 IC 1x
- Resistance 10K 0.5W 3x
- Resistance 4K7 0.5W 2x
- Resistance 2K2 0.5W 2x
- Resistor 50K 0.5W 1x
- Power MOSFET IRF3710 4x
- TO-220 Heatsink 4x
- Diode 1N4004 4x
- Electrolytic capacitors 100uF 100V 3x
- Block/Ceramic capacitors 100nF 100V 4x
- Single turn cermet trimmers - FT-63 series 50K nominal resistance 1x/
PT6v(655MCL)50K Carbon Trimmer Potent. 5x5mm 50K, Vertical Type